

CCOD450EG

CONDUIT STRUT CLAMP O.D. 4-1/2

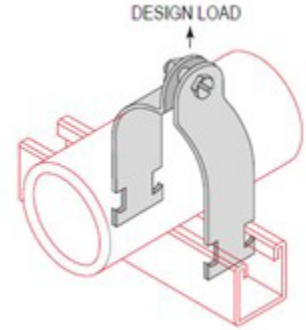
UPC: 78461000386

Country of Origin:

UNSPSC: 31162906

USA

Commodity: Hose or pipe clamps



Conduit Strut Clamp O.D. 4 1/2

Product Attributes

| | |
|------------------|--|
| Brand Name | Minerallac |
| Sub Brand | Minerallac Strut Fittings |
| Type | Strut Clamp for Pipe & Conduit |
| Application | Pipe clamps, pipe hangers, brackets, and rollers are designed for the support of electrical and mechanical services. |
| Design Load | 1000 lbs. |
| Finish | Electro-galvanized |
| Clip Type | Conduit to Strut Channel |
| Color | Silver |
| Outside Diameter | 4.5" IN |
| Band Slots | Rectangular |
| Included | Nut and Bolt |
| Number of Holes | 2 |

Compliance Information

| | |
|-----------------------------|-----|
| Buy America Act Compliant: | No |
| Buy American Act Compliant: | Yes |
| RoHS Compliant: | Yes |
| UL Compliant: | No |
| UL Code: | N/A |

Proposition 65



WARNING: This product can expose you to Lead, which is known to the State of California to cause cancer and reproductive harm. For more information go to www.P65Warnings.ca.gov.

Item Status: Active

Standard Qty: 25

Minerallac Company

Tel: 800-927-3293

Fax: 800-824-8942

www.minerallac.com

WARRANTY DISCLAIMER The information, data and recommendations contained herein may not be all inclusive or specific to your situation, and should only be used as a guide. The information is furnished upon the condition that the person receiving it shall make his/her own determination of the suitability of the product for his/her particular use and on condition that they assume the risk of the use thereof.

With respect to this publication and the product related thereto, except otherwise expressly provided by Manufacturer in writing, MANUFACTURER MAKES NO EXPRESS OR IMPLIED WARRANTY OF MERCHANTABILITY, FITNESS FOR A PARTICULAR PURPOSE OR ANY OTHER EXPRESS OR IMPLIED WARRANTY.

Remedy/Liability Limits The exclusive remedy for losses or damages resulting from this publication or the related product (including claims based on contract, negligence, strict liability or other legal theories) shall be limited to, at Manufacturer's sole election, one of the following: 1. Refund of purchase price paid by buyer or user for product bought, or 2. Replacement of amount of product used.

Manufacturer shall not be liable for losses or damages resulting from use of this publication or handling or use of this product. IN NO CASE SHALL MANUFACTURER BE LIABLE FOR CONSEQUENTIAL OR INCIDENTAL DAMAGES OR LOSSES, INCLUDING WITHOUT LIMIT, HEALTH RELATED DAMAGES OR INJURIES, OR LOST PROFITS.

The terms of this Warranty Disclaimer and Remedy/Liability Limits cannot be varied by any written or verbal statements or agreements. No employee or sales agent of Manufacturer or the seller is authorized to vary or exceed the terms of this Warranty Disclaimer or Limitation of Remedies in any manner .